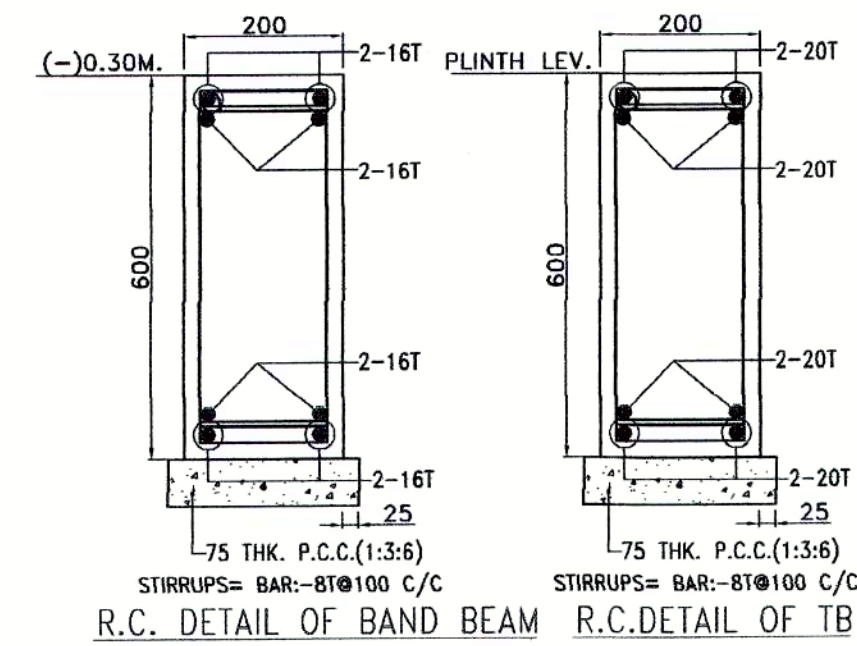
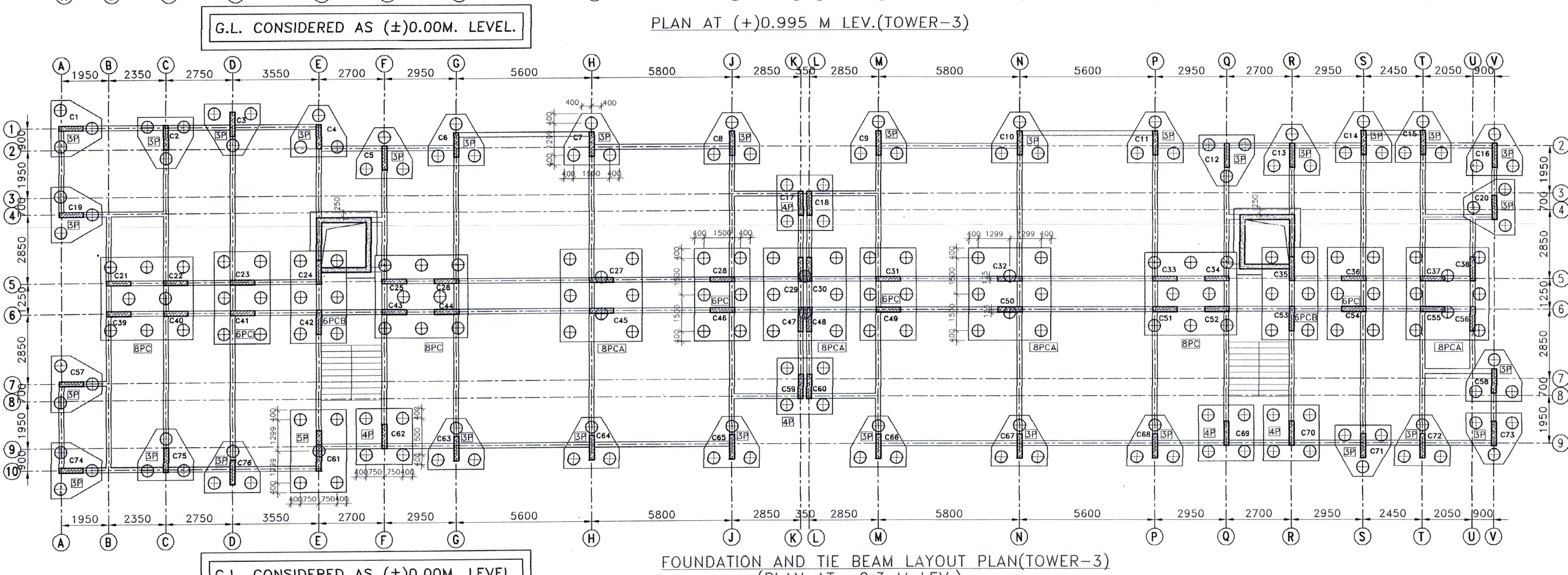
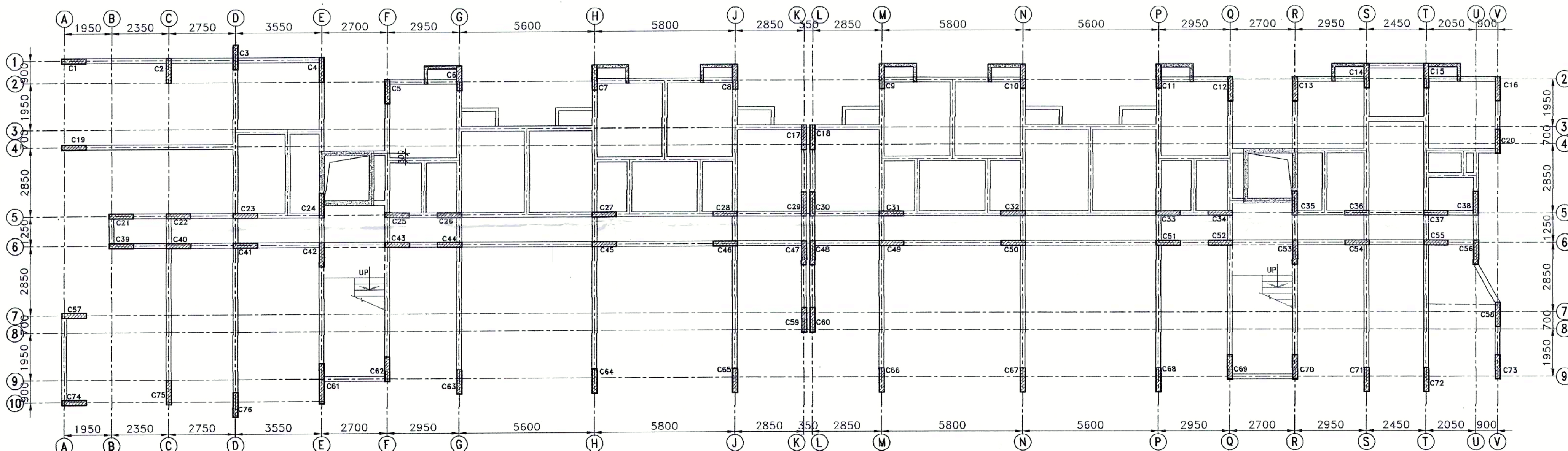
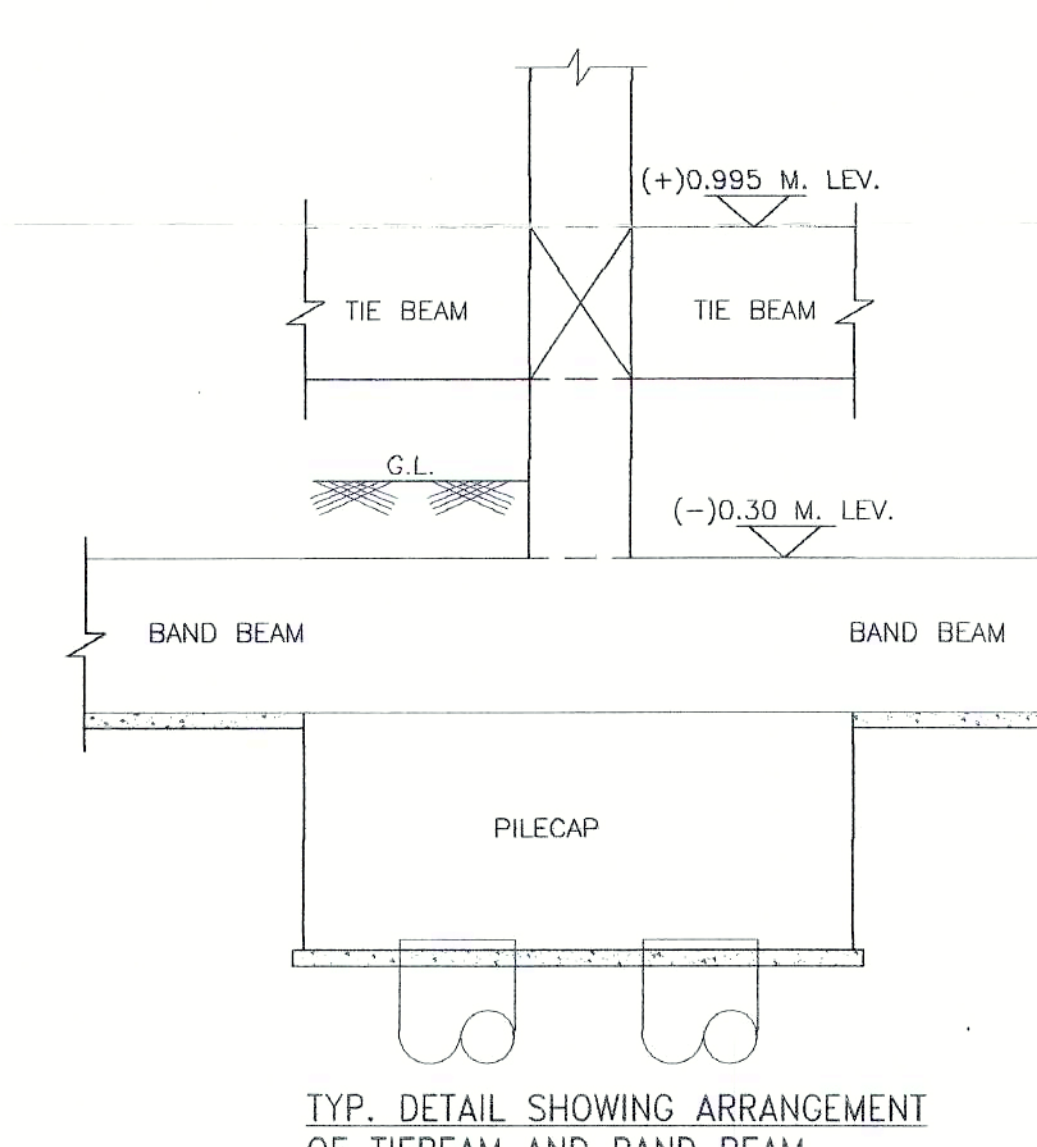
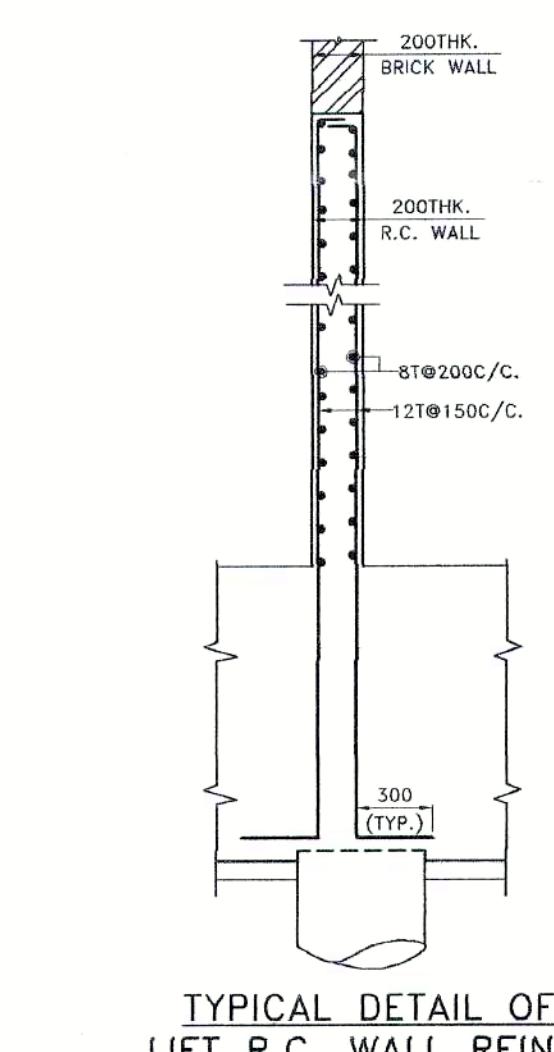
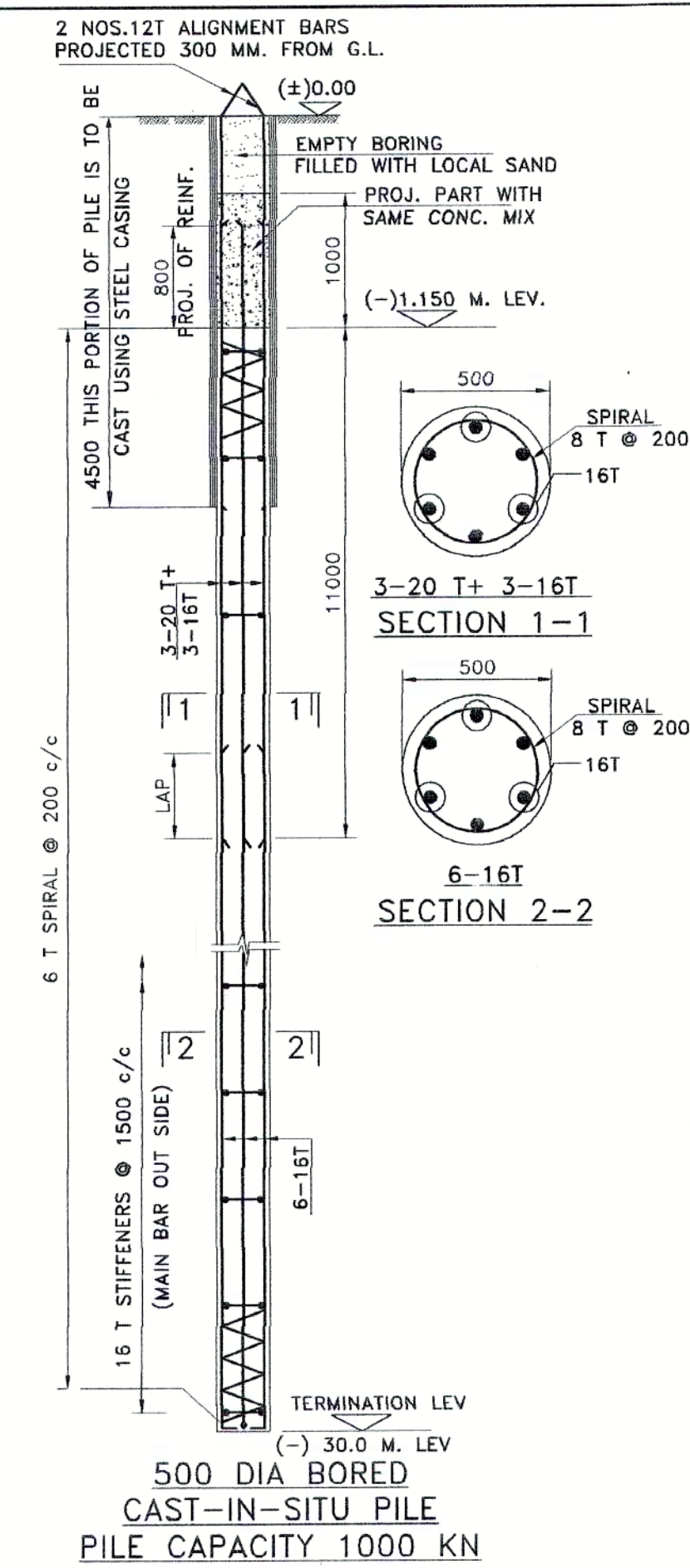
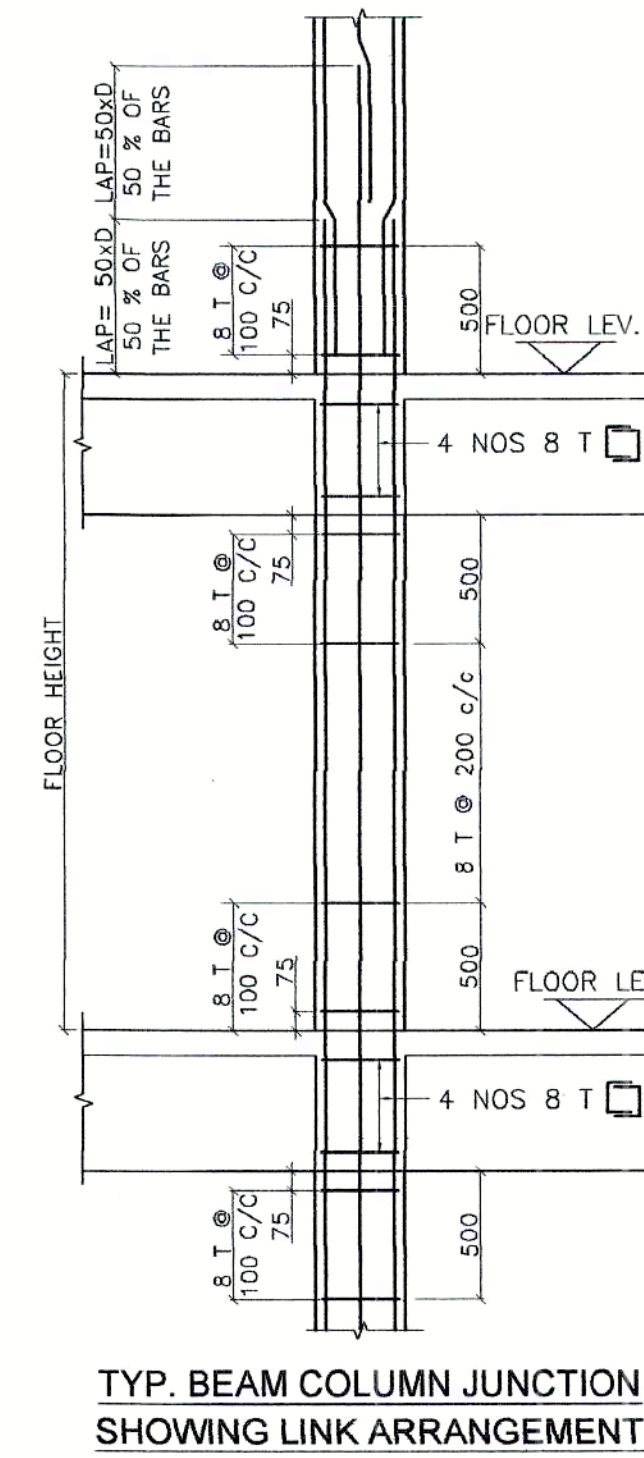
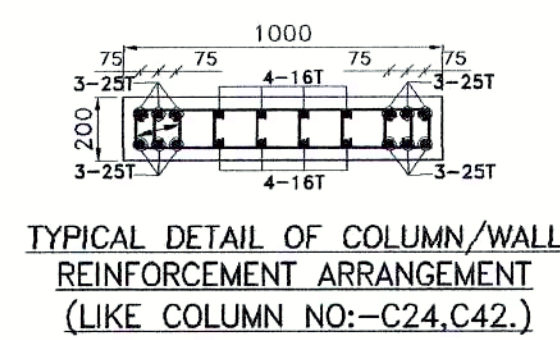


PILE CAP MKD	OVERALL DEPTH (mm)	CAP REINFORCEMENT						BURSTING BAR
		LONGER BAR			SHORTER BAR			
		LONGER BAR	STIRRUPS	BOTTOM BAR	TOP BAR	STIRRUPS	BURSTING BAR	
3P	1200	7-20T	4-12T	4L-12 T @ 200 C/C	7-20T	4-12T	4L-12 T @ 200 C/C	12 T @ 150 C/C
4P	1250	15-20T	8-12T	6L-12 T @ 200 C/C	15-20T	8-12T	6L-12 T @ 200 C/C	12 T @ 150 C/C
5P	1250	15-20T	8-12T	6L-12 T @ 250 C/C	23-20T	12-12T	8L-10 T @ 250 C/C	12 T @ 150 C/C
6PC	1250	17-25T	9-12T	8L-12 T @ 175 C/C	25-20T	13-12T	-	12 T @ 150 C/C
6PCB	1250	15-20T	15-20T	6L-10 T @ 200 C/C	25-20T	13-12T	8L-10 T @ 250 C/C	12 T @ 150 C/C
8PC	1250	23-20T	12-12T	-	25-20T	13-12T	-	12 T @ 150 C/C
8PCA	1250	23-20T	12-12T	-	25-20T	13-12T	8L-12 T @ 125 C/C	12 T @ 150 C/C



COLUMN / WALL SCHEDULE	COLUMN MKD.	COL. SIZE	REINFORCEMENT				
			FDN. TO 1st FLOOR	1st. FLOOR TO 3rd. FLOOR LEV.	3rd. FLOOR TO 7th. FLOOR LEV.	7th. FLOOR TO 9th. FLOOR LEV.	9th. FLOOR TO Roof LEV.
	C1,C2,C3,C4,C5,C6,C7,C8,C9,C10,C11,C12,C13,C14,C15,C16,C17,C18,C19,C20,C21,C22,C23,C24,C25,C26,C27,C28,C29,C30,C31,C32,C33,C34,C35,C36,C37,C38,C39,C40,C41,C42,C43,C44,C45,C46,C47,C48,C49,C50,C51,C52,C53,C54,C55,C56,C57,C58,C59,C60,C61,C62,C63,C64,C65,C66,C67,C68,C69,C70,C71,C72,C73,C74,C75,C76.	200X1000	2-16T+4-16T+2-16T 2-16T+4-16T+2-16T	2-16T+4-16T+2-16T 2-16T+4-16T+2-16T	2-16T+4-16T+2-16T 2-16T+4-16T+2-16T	3-16T+2-12T+3-16T 3-16T+2-12T+3-16T	2-16T+4-12T+2-16T 2-16T+4-12T+2-16T
	C61	200X1650	3-16T+4-16T+3-16T 3-16T+4-16T+3-16T	3-16T+4-16T+3-16T 3-16T+4-16T+3-16T	3-16T+4-16T+3-16T 3-16T+4-16T+3-16T	3-16T+4-16T+3-16T 3-16T+4-16T+3-16T	3-16T+4-16T+3-16T 3-16T+4-16T+3-16T
	C24,C42.	200X1000	3-25T+4-16T+3-25T 3-25T+4-16T+3-25T	3-25T+4-16T+3-25T 3-25T+4-16T+3-25T	3-25T+4-16T+3-25T 3-25T+4-16T+3-25T	3-25T+4-16T+3-25T 3-25T+4-16T+3-25T	3-25T+4-16T+3-25T 3-25T+4-16T+3-25T
	C27,C32,C45	200X1000	3-20T+3-16T+3-20T 3-20T+3-16T+3-20T	3-20T+3-16T+3-20T 3-20T+3-16T+3-20T	3-20T+3-16T+3-20T 3-20T+3-16T+3-20T	3-20T+3-16T+3-20T 3-20T+3-16T+3-20T	3-20T+3-16T+3-20T 3-20T+3-16T+3-20T



PROJECT:
PROPOSED PARTLY B+G+12 STORED AFFORDABLE HOUSING AT PREMISES NO. - MOUZA - BHASA, J.L. NO. - 20, L.R. DAG NO. - 483 TO 485, 489 TO 495, 497 TO 499, 513 TO 517, 727, P.S.- BISHNUPUR, DIST - 24 PGS (SOUTH). (PARTLY REVISED SANCTION DONE VIDE FILE NO. - 558/688/Rev/KMDA, Dtd 01-04-2019).

BLOCK-2 TOWER-3

NOTES:
 1. ALL DIMENSIONS ARE IN MM. & LEVELS ARE IN M. U.M.O.
 2. GRADE OF REINFORCEMENT IS F450D.
 3. GRADE OF CONCRETE IS
 a) PILE = M30
 b) I. PILE CAP, COLUMNS, BEAMS, SLABS UP TO 3rd FLOOR LEV. = M40
 II. COLUMNS, BEAMS, SLABS FROM 3rd. FLOOR TO ROOF LEV. = M35.
 4. LAP/BONDS LENGTH SHALL BE 50 x D WHERE D IS THE DIA OF SMALLER BAR.
 5. CLEAR COVER TO REINFORCEMENT:-
 a) PILE/PILECAP= 50 mm
 b) COLUMN & TIE BEAM = 40 mm
 c) FLOOR BEAM = 25 mm d) FLOOR SLAB = 20 mm
 e) WAIST SLAB = 20 mm
 6. SPECIAL NOTES FOR PILES:-
 a) SLUMP FOR CONCRETE SHALL BE 150 TO 180.
 b) MAXIMUM W/C RATIO IS 0.5
 c) MINIMUM CEMENT CONTENT IS 400KG/CUM OF CONCRETE.
 d) CUTTING SHALL BE DONE BY CHISEL AND BAILER.
 e) EXTRUSION SHALL BE DONE BY D.M.C. METHOD.
 f) ROLLER TYPE COVER BLOCK IS TO BE USED.
 g) SPECIFIC GRAVITY OF BENTONITE SLURRY AFTER WASH SHALL BE 1.1 TO 1.12.
 h) PILE TO BE TESTED IN ACCORDANCE WITH IS 2911 PART-4.

Development Corporation Private Limited
 Woodland Complex Private Limited
 Director

(SIGNATURE OF OWNER & SEAL)

CERTIFICATE
 WE DO HEREBY CERTIFY THAT THE FOUNDATION AND SUPERSTRUCTURE OF THE BUILDING PROPOSED FOR CONSTRUCTION ON PREMISES NO. MOUZA- BHASA, J.L. NO. - 20, L.R. DAG. NO. - 483 TO 485, 489 TO 495, 497 TO 499, 513 TO 517, 727, P.S.- BISHNUPUR, DIST - 24 PGS (SOUTH) HAVE BEEN SO DESIGNED BY ME / US WILL MAKE SUCH FOUNDATION AND SUPERSTRUCTURE SAFE IN ALL RESPECT INCLUDING THE CONSIDERATION OF BEARING CAPACITY AND SETTLEMENT OF SOIL ETC.

MALAY KUMAR GHOSH
 Regn. No. CA/92/14854
 35A, Dr. Sarat Banerjee Road
 Kolkata - 700 029

MALAY KUMAR GHOSH
 REGN. NO. CA/92/14854
 35A, DR. SARAT BANERJEE ROAD, KOLKATA-700029
 SIGNATURE OF ARCHITECT & SEAL

Koushik Sengupta
 B.E. (CIVIL), M.E. (STRUCTURE)
 E.S.E.-1/76 (K.M.C.)

Koushik Sengupta
 B.E. (CIVIL), M.E. (STRUCTURE)
 ESE - 1/76 (K. M. C.)
 SIGNATURE OF STRUCTURAL ENGINEER & SEAL

Checked & Vetted
 Dr. Parth Choudhary
 B.E. (CIVIL), M.E. (Structural Engg.), Ph.D. (Engg.)
 Professor
 Construction Engg. Department
 Jalajogaj University, Kolkata-700 106

ALOK ROY
 Empanelled Geotechnical Engineer
 Kolkata Municipal Corporation
 Class-I, No. G/7/11
 6A, Milan Park,
 Kolkata-700 084

ALOK ROY
 GTE - 1/11
 6A MILAN PARK, GARIA, KOLKATA- 700084.
 SIGNATURE OF GEO-TECHNICAL ENGINEER & SEAL

ARCHITECT
 ESPACE
 JSA, DR. SARAT BANERJEE ROAD, KOLKATA-700029
 FAX-PHONE: 033-465-4130, 033-465-4139, e-mail-espac@vsnl.com

STRUCTURAL CONSULTANT
 KSG PROJECTS AND INFRASTRUCTURE CONSULTANTS
 P-343, RAJA BASANTA ROY ROAD, KOLKATA-700-029

SCALE:- 1:100, 1:50, 1:25, 1:10 DATE:-08.12.2020.
 DRAWING NO.-KPIC/ESPACE, EDEN JOKA/TOWER-3/COMP./1 OF 2.